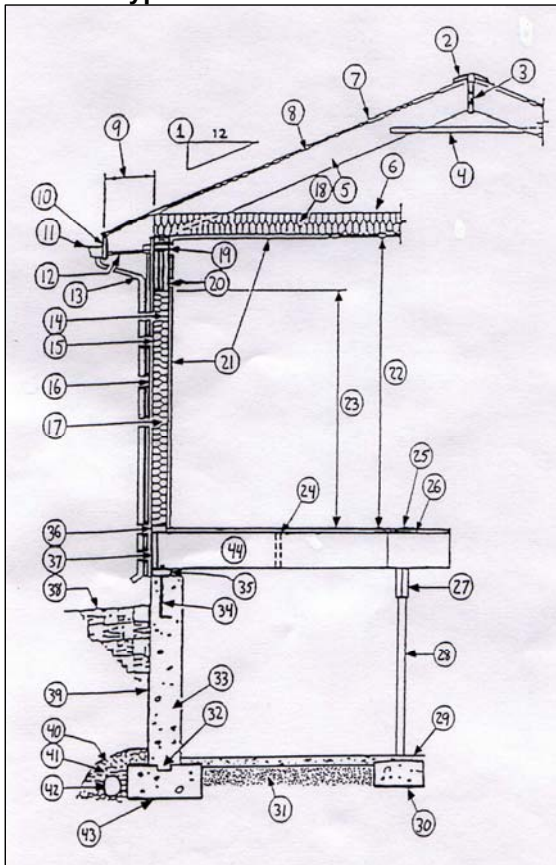


Typical Cross Section Detail



- 1 Pitch Triangle _____
- 2 Ridge Cap / Vent _____
- 3 Ridge Board _____
- 4 Collar Tie _____
- 5 Rafter _____
- 6 Ceiling Joist _____
- 7 Roofing _____
- 8 Sheathing _____
- 9 Overhang or Tail _____
- 10 Facia _____
- 11 Gutter _____
- 12 Soffit / Vent _____
- 13 Leader or Downspout _____
- 14 Stud _____
- 15 Sheathing _____
- 16 Siding _____
- 17 Insulation (Walls) _____
- 18 Insulation (Ceiling) _____
- 19 Plate _____
- 20 Header _____
- 21 Gypsum Board or Plaster _____
- 22 Finish Height _____
- 23 Window & Door Height _____
- 24 Bridging _____
- 25 Finish Floor _____
- 26 Sub Floor _____
- 27 Carrying Beam / Microllam _____
- 28 Column _____
- 29 Concrete Floor _____
- 30 Column Footing _____
- 31 Gravel Depth _____
- 32 Footing Key _____
- 33 Foundation Wall _____
- 34 Anchor Bolt _____
- 35 Sill _____
- 36 Shoe or Sole _____
- 37 Perimeter box _____
- 38 Grade _____
- 39 Waterproofing _____
- 40 Building Paper _____
- 41 Crushed Stone _____
- 42 Footing Drain _____
- 43 Footing _____
- 44 Floor Joist _____

Depth of Footing _____

Size of Bedroom Windows _____

Type of Glass _____

Type of Heat _____

Plumbing	Yes	<input type="checkbox"/>	No	<input type="checkbox"/>
Electrical	Yes	<input type="checkbox"/>	No	<input type="checkbox"/>
Septic tank	Yes	<input type="checkbox"/>	No	<input type="checkbox"/>
Well water	Yes	<input type="checkbox"/>	No	<input type="checkbox"/>
City water	Yes	<input type="checkbox"/>	No	<input type="checkbox"/>
Sewer	Yes	<input type="checkbox"/>	No	<input type="checkbox"/>

Ground Fault Interrupter _____

Smoke Detector _____

Hurricane clips _____

Fire stopping _____